



1200W
Powerful
18.8 W/In.³
Small
1.3kg
Light

As a new generation of industrial-grade programmable power supply, AZ1200 series has digital design, which makes it have ultra-high programmable accuracy, Comprehensive parameter monitoring, multi-functional analog and digital interfaces, making your power system design more accurate and efficient.

The AZ1200 series is designed to comply with IEC/EN62368-1, IEC6061-1, EN55032 and relevant international standards

It empowers high-end industries and medical equipment continuously.

FEATURES:

• Programmable output Voltage (0% ~ 107.5%)

• Programmable output Current (0% ~ 107.5%)

• Analog and digital interface control

• I²C, Modbus, CAN bus communication protocol Selectable

• Constant current function

• Built-in OR-ing FETs

• Selectable 5V,2A or 12V,0.83A auxiliary output

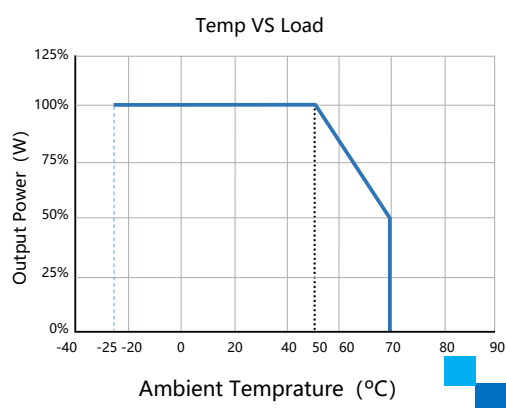
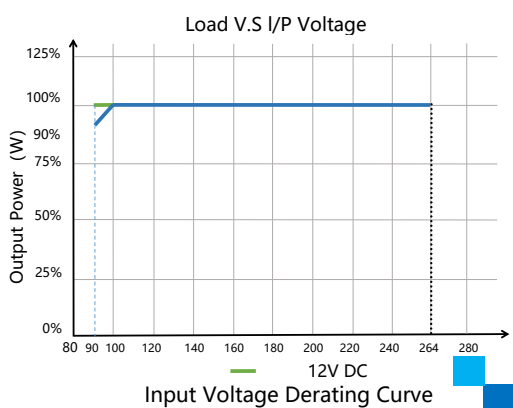
• Intelligent GUI to set and monitoring parameter

MODEL	AZ1200-12	AZ1200-15	AZ1200-24	AZ1200-30	AZ1200-36	AZ1200-48	AZ1200-60
DC Voltage Rated	12V	15V	24V	30V	36V	48V	60V
Rated Current	83.3A	80A	50A	40A	33.33A	25A	20A
Rated Power	1000W	1200W					
Ripple & Noise(Max.)	150mVp-p	150mVp-p	150mVp-p	150mVp-p	150mVp-p	150mVp-p	240mVp-p
Efficiency(Typ.)	88.0%	89.5%	91.0%	92.0%	92.5%	93.5%	93.5%
Note 1.All parameters NOT specially mentioned are measured at 230VAC input, full load,25°C of ambient temperature. 2.De-rating may apply in low input voltage. Please check the de-rating curve for more details.							

MODEL		AZ1200-12	AZ1200-15	AZ1200-24	AZ1200-30	AZ1200-36	AZ1200-48	AZ1200-60
Output Specifications								
DC Voltage Rated	V	12V	15V	24V	30V	36V	48V	60V
DC Current Rated	A	83.3A	80A	50A	40A	33.33A	25A	20A
Programming And Readback (I²C,RS485,CAN)								
Vout programming accuracy	--	0.3% of Vset +0.2% of rated output Voltage						
Iout programming accuracy	--	0.3% of Iset +0.2% of rated output current						
Vout programming resolution (Note.1)	--	3mV						
Iout programming resolution	--	3mA						
Vout readback accuracy	--	0.3% of actual +0.2% of rated output Voltage						
Iout readback accuracy (Note.1)	--	0.3% of actual +0.2% of rated output current						
Vout readback resolution	--	1mV						
Iout readback resolution	--	1mA						
Analog Programming And Monitoring (0~5V/0~5KΩ)								
Vout voltage programming	--	0~107.5%, 0~5V,Accuracy and linearity: ±0.5% of rated Vout.						
Iout voltage programming (Note.1)	--	0~107.5%, 0~5V ,Accuracy and linearity: ±1% of rated Iout.						
Vout resistor programming	--	0~107.5%, 0~5Kohm . Accuracy and nonlinearity: ±1% of rated Vout.						
Iout resistor programming	--	0~107.5%, 0~5Kohm .Accuracy and nonlinearity: ±1% of rated Iout.						
Output current monitor	--	0~3.3V user selectable. Accuracy: ±1%.						
Output voltage monitor	--	0~3.3V user selectable. Accuracy: ±1%.						
Constant Voltage Mode								
DC Voltage Rated	V	12	15	24	30	36	48	60
Programming Voltage Range	V	0~12.9	0~16.125	0~25.8	0~32.25	0~38.7	0~51.6	0~64.5
Ripple & Noise(P-P),Full load	mVp-p	150	150	150	150	150	150	240
Line Regulation (Note.2) ,Full load	--	±0.2%						
Load Regulation (Note.3)	--	±0.2%						
Remote sense compensation/wire	V	Max 2.5% of rate Vout						
Hold-up time,Full load, 100%~90%	--	16ms						
Constant Current Mode								
DC Current Rated	A	83.3A	80A	50A	40A	33.33A	25A	20A
Programming Current Range	A	0~89.5	0~86	0~53.75	0~43	0~37.47	0~26.87	0~21.5
Line regulation (Note.2)	--	±0.2%						
Load regulation	--	±0.2%						
Protective &Alarm Functions								
Input Over-voltage protection	--	AC input over 275VAC shutdown, auto recovery below 260VAC; Reset by AC input or by EN Singal or by communication port.						
Input under-voltage protection	--	AC input under 85VAC shutdown, auto recovery above 90VAC						
AC fail Alarm	--	AC input voltage below 50V for 50ms						
Output Over-voltage protection	--	Shut down, Reset by AC input or by EN Singal or by communication port.						
Over temperature Alarm(OTA)	°C	Ambient temperature over 53°C; auto-recovery under 48°C						
Over temperature protection(OTP)	°C	Heat-sink temperature over 95°C,shut down and auto-recovery under 75°C						
Over current protection(OCP)	--	Constant Current Limit						
Short circuit protection(SCP)	--	shut down and auto-recovery after the short-circuit removed						
Note: 1.Ripple & noise are measured at 20MHz of bandwidth by using 12" twisted pair-wire terminated with a 0.1uF & 47uF parallel capacitor 2.At 85~132Vac or 170~265VAC, constant load. 3.From No-Load to Full-Load, constant input voltage. Measured at the sensing point in Remote Sense.								
Function								
Local Remote control	--	By electrical Voltage: 5V/12V or dry contact						
DC-OK signal	--	Open Dragin singal, sink current ≤20mA, max drain voltage 40V						
Parallel operation	--	Possible, up to 16 units with single wire current balance connection.						
Series operation	--	Possible						
Auxiliary Power	--	Selectable +5V/2A or +12V/0.83A auxiliary output						
IOA	--	High speed I/O port (digital signal input/output)						
IOB	--	Low speed I/O port (analog singal input/output)						
Temperature measurement accuracy	°C	1						
Temperature display resolution	°C	0.1						
Input Specifications								
AC Input (Note.1)	Vac	90~264,Normal input 115VRMS/230VRMS						
DC Input	Vdc	127~370						
Input freq	HZ	47~63HZ,50/60HZ Typ 360~800,Contact factory for 400Hz application						
Input Current	--	230V/5.4A; 115V/15A						
Input Fuse	A	20,Each line fused 20A Slow acting						
Inrush Current	A	17.5A,115VAC; 35A,230VAC; 25°C cold start						

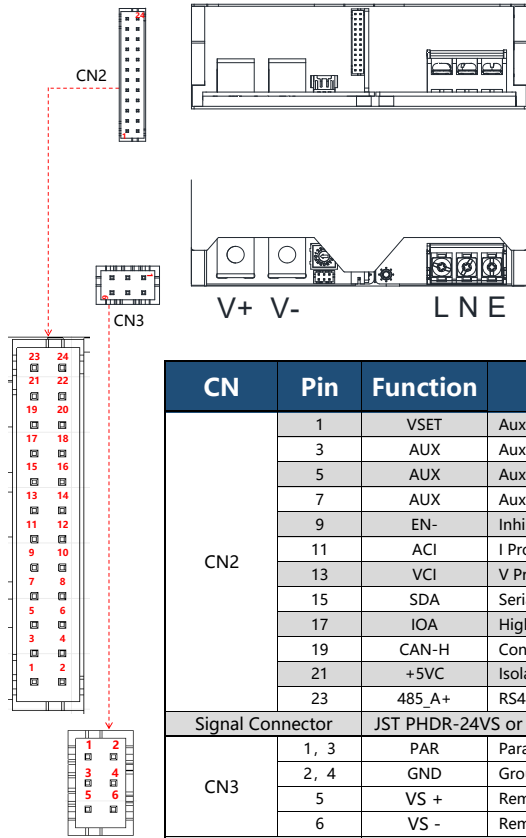
Power Factor	--	0.99,115VAC,full load, 0.98,230VAC,full load
AC voltage measurement accuracy	--	$\pm (Vin \cdot 1\% + 0.5V) / Vin$
AC voltage measurement resolution	mV	10
AC voltage measurement refresh rate	--	2.5 Times/Sec
AC voltage measurement range	V	80~310VAC 113~450VDC
Static Power consumption	W	$\leq 8W, 25^{\circ}C$
Equipment class	--	'Class I
Note: 1.For cases where conformance to various safety standards (UL, IEC, etc...) is required, to be described as 100-240Vac (50/60Hz).		
Environmental Conditions		
Operating temperature	$^{\circ}C$	-25~ +70 $^{\circ}C$. Contact factory for -40 $^{\circ}C$ application
Storage temperature	$^{\circ}C$	-40~ +85 $^{\circ}C$
Operating humidity	%	10~90 (Relative,Non-condensing)
Storage humidity	%	5~95 (Relative,Non-condensing)
Operating Altitude	m	-200~3000
Non-Operating Altitude	m	-200~5000
vibration	--	10~500Hz,2G 10min./1cycle,period for 60min.each along X,Y,Z axes Compliance to IEC 68-2-6,IEC 68-2-64
Shock	--	<196m/s2,With Package
Safety/EMC		
Safety	--	Meets IEC 60601-1:2005, IEC 60601-1:2005/AMD1:2012, IEC 60601-1:2005/AMD2:2020 Meets IEC 62368-1:2018, EN 62368-1:2014/A11:2017
EMC	--	Meets EN 60601-1-2:2015/A1:2021 IEC 60601-1-2:2014/A1:2020 EN 55032:2015/A1:2020, EN 55035:2017/A11:2020, EN IEC 61000-3-2:2019/A1:2021, EN 61000-3-3:2013/A2:2021
Conducted emission	--	Meets EN 55032 Class B
Radiated emission	--	Meets EN 55032 Class A
Isolation Voltage	--	I/P-O/P: 4kVac(5656Vdc), I/P-FG: 1.5kVac (2121Vdc), O/P-FG: 0.5kVac (707Vdc)
Insulation resistance	--	I/P-O/P,I/P-FG,O/P-FG:100M Ohms/500Vdc
Earth Leakage Current		<300uA Normal condition, 240Vac, 63Hz, 25 $^{\circ}C$
Mechanical		
Dimensions (WxHxD)	mm	127*41*201.2 / (5.00*1.61*7.92 inch)
Weight	KG	1.3KG/PCS; 15PCS/Carton, 22KG
Cooling	--	Forced air cooling by internal fan
Fan Speed	RPM	0~9000 $\pm 10\%$, Intelligent fan control
Fan Noise Level	dB	48.7,Fan Independent testing Note.1
Others		
Warranty		3Years,
MTBF	h	250000,MIL-HDBK-217F@25 $^{\circ}C$

DE-Rating Curve



+86 755-83045928

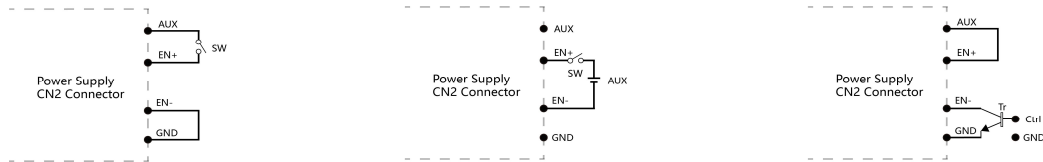
PIN Definition



Pin	Function
L	AC Input L
N	AC Input N
E	AC Input FG
V+	DC Output (+)
V-	DC Output (-)

CN	Pin	Function	Description	Pin	Function	Description	
CN2	1	VSET	Aux output setting 5V/12V	2	POK	Power OK	
	3	AUX	Auxiliary output positive	4	GND	Ground	
	5	AUX	Auxiliary output positive	6	GND	Ground	
	7	AUX	Auxiliary output positive	8	EN+	Inhibit ON/OFF (+)	
	9	EN-	Inhibit ON/OFF (-)	10	GND	Ground	
	11	ACI	I Program	12	GND	Ground	
	13	VCI	V Program	14	GND	Ground	
	15	SDA	Serial Data Line	16	SCL	Serial Clock Line	
	17	IOA	High speed I/O port	18	IOB	Low speed I/O port	
	19	CAN-H	Controller Area Network-H	20	CAN-L	Controller Area Network-L	
	21	+5VC	Isolation 5V positive	22	GNDI	Isolation 5V Ground	
	23	485_A+	RS485 A+	24	485_B-	RS485 B-	
	Signal Connector JST PHDR-24VS or equivalent; JST SPHD-002T-P0.5 or equivalent						
	CN3	1, 3	PAR	Parallel operation current share			
2, 4		GND	Ground				
5		VS +	Remote sense(+)				
6		VS -	Remote sense(-)				
Signal Connector CJT A2006H-2x3P or equivalent; JST SPHD-002T-P0.5 or equivalent							

Remote ON/OFF



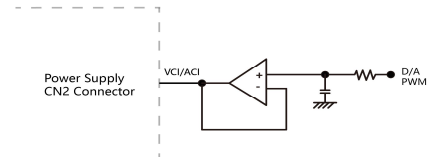
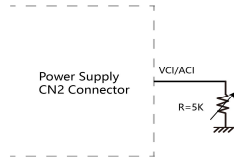
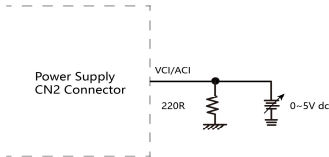
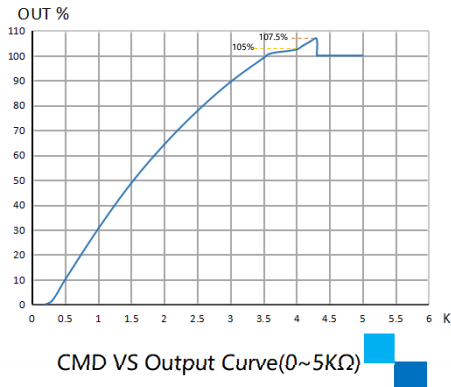
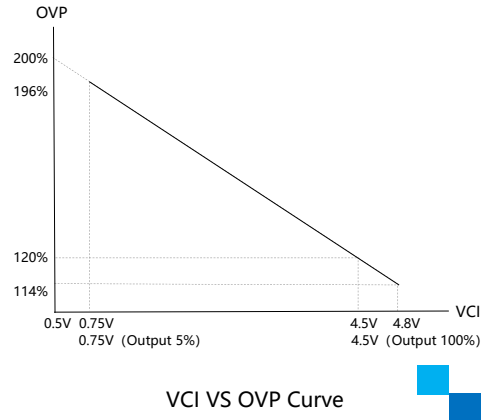
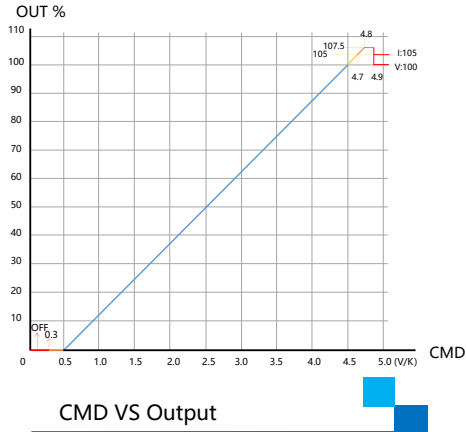
(a) Using internal 5V auxiliary source (Default Setting)

(b) Using external voltage source

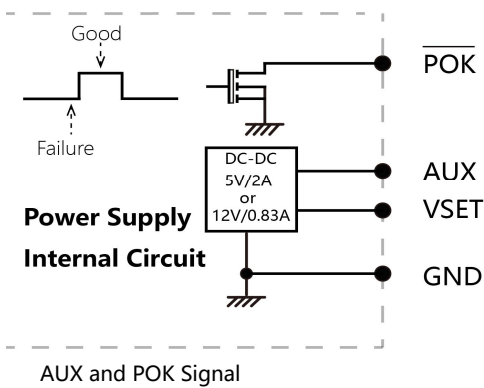
(c) ON / OFF Control by NPN transistor

Note:
GND shown in above diagram is referring to the GND of CN2, not the Grounding from main power(V-).

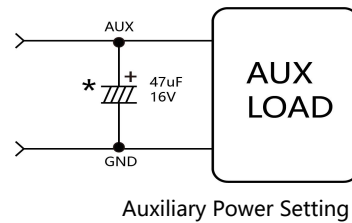
Output Voltage/Current Programming



Power OK Signal & Auxiliary Power Setting



Do not exceed 5V/2A or 12V/0.83A



The grounding of "AUX" power and P.OK signals should be connected to "GND" port. If "V-" is connected as Grounding, make sure to short the GND and V- ports.

*Place an additional capacitor to have a better performance of auxiliary power operation.

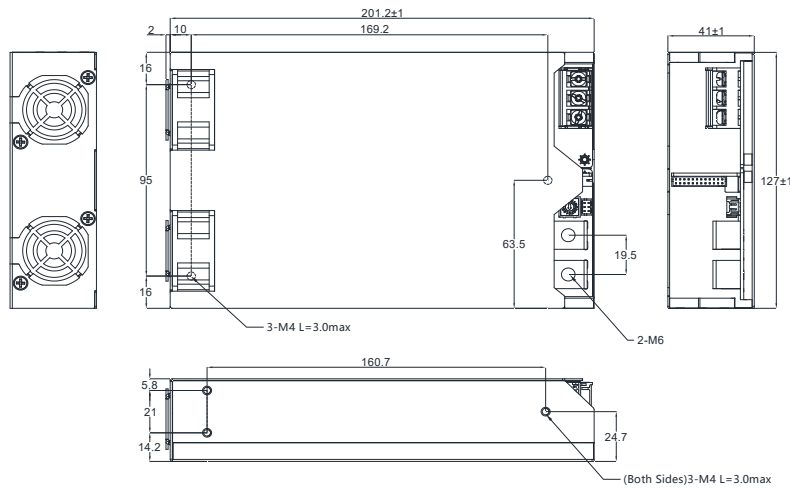
Note: GND shown in above diagram is referring to the GND of CN2, not the Grounding from main power(V-).

LED status indication

mode	Description	LED Signal	LED Slow=750ms; Fast=250ms
Local mode	Power Standby		Slow Blink (Green)
	Power OK		Solid (Green)
Remote mode	Power Standby		Slow Blink (Orange)
	Power OK		Solid (Orange)
Local/Remote mode	AC Failure		Alternating flicker (Red&Green)
	FAN Failure		
	OTA		
	AC Input Over /Under Voltage Protection		Fast Blink (Red)
	BUS Over Voltage Protection (OVP)		Intermittent Blink (Red)
	Over Load Protection (OLP)		Interlace Blink (Red)
	Over Temperature Protection (OTP)		Slow Blink (Red)
DC Output Over Voltage Protection (OVP)		Solid (Red)	

Mechanical Drawings

unit:mm

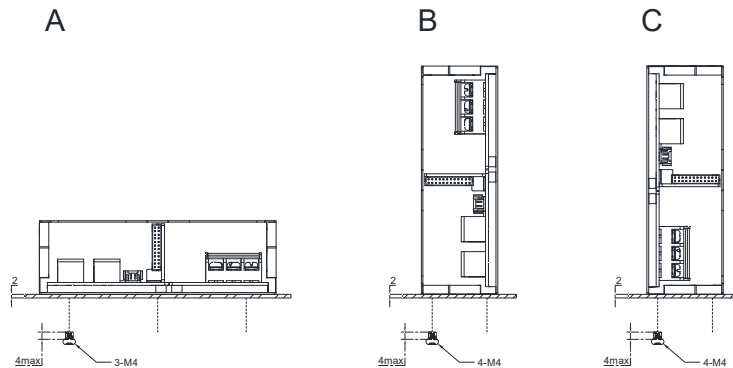


Notes:

- 1, Input terminal block type, M4 screw torque value of 16kgf·cm using wire gauge 18-10 (13mm centers)
- 2, Output terminal block, M6 screw in 2 positions, torque 3.5N·m (35kgf·cm)

Installation precautions

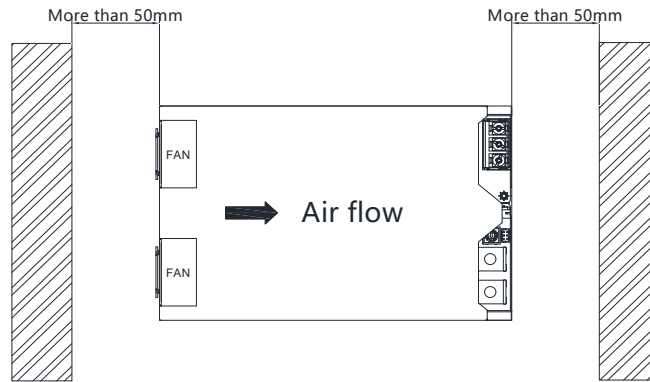
unit:mm



Notes:

- 1, Recommended standard mounting methods A, B, C
- 2, The Maximum allowable penetration of screw is 4mm. Incomplete threading should not be penetrated

Installation precautions



Notes:
There are ventilating holes on the front and back side panels, do not obstruct; allow 50mm at least for air flow.